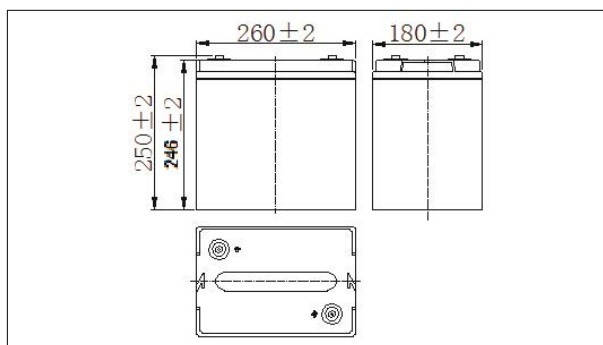


NP6-225Ah 6V225Ah

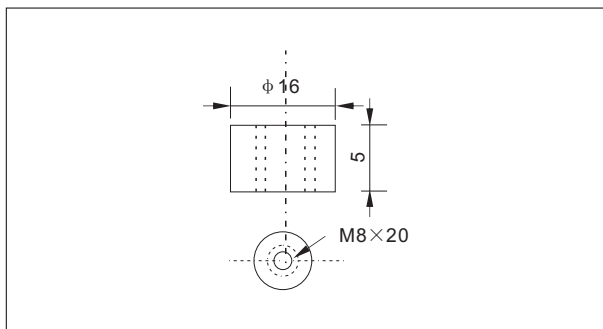
Specifications

Nominal Voltage		6V
Rated capacity (20 hour rate)		225Ah
Dimensions	Length	260±2mm(10.24inch)
	Width	180±2mm(6.65inch)
	Height	246±2mm(9.69inch)
	Total Height	250±2mm(9.84inch)
Approx. Weight		29.5kg(65lbs)±3%

Outer dimensions (mm)



Terminal Type (mm)



Construction

Component	Positive plate	Negative plate	Container	Cover	Separator	Electrolyte	Safety valve	Terminal
Raw material	Lead dioxide	Lead	ABS	ABS	AGM	Sulfuric acid	Rubber	Copper

Constant Current Discharge Characteristics Unit:A(25°C,77°F)

F.V/Time	10min	15min	30min	60min	2h	3h	4h	5h	8h	10h	20h
4.80V	460	354	212	130	77.1	55.5	44.3	37.9	26.0	21.5	11.4
4.95V	446	346	208	128	76.6	55.2	44.1	37.7	25.9	21.4	11.4
5.10V	428	333	210	125	76.0	54.8	43.8	37.4	25.7	21.4	11.3
5.25V	409	322	197	121	74.8	54.4	43.5	37.1	25.5	21.2	11.3
5.40V	386	305	189	117	72.9	52.8	42.2	36.0	24.8	21.1	11.2

Constant Power Discharge Characteristics Unit:W(25°C,77°F)

F.V/Time	10min	15min	30min	60min	2h	3h	4h	5h	8h	10h	20h
4.80V	2484	1946	1190	743	446	326	261	224	155	128	68.3
4.95V	2409	1899	1166	732	444	325	259	223	154	128	68.2
5.10V	2310	1829	1130	714	440	322	257	221	153	128	68.0
5.25V	2211	1767	1103	691	433	320	256	219	152	127	67.6
5.40V	2086	1674	1062	669	422	310	248	213	147	126	67.1

Note: The above characteristics data can be obtained within three charge or discharge cycles.

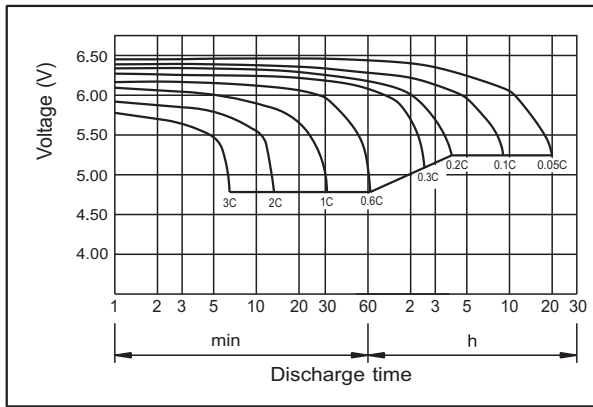


Characteristics

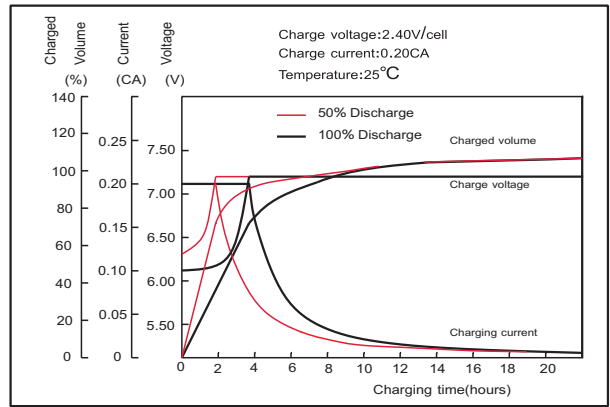
Capacity (25°C)	20HR(5.25V)	225Ah
	10HR(5.25V)	210Ah
	1HR(5.25V)	120Ah
Terminal type		T16
Internal resistance (Fully charged,25°C)		Approx.2m Ω
Capacity affected by temperature (10HR)	40°C	102%
	25°C	100%
	0°C	85%
	-15°C	65%
Self-discharge (25°C)	3month	Remaining Capacity:91%
	6month	Remaining Capacity:82%
	12month	Remaining Capacity:65%
Nominal operating temperature		25°C ±3°C(77°F ±5°F)
Operating temperature range	Discharge	-15°C~50°C(5°F~122°F)
	Charge	-10°C~50°C(14°F~122°F)
	Storage	-20°C~50°C(-4°F~122°F)
Float charging voltage(25°C)		6.75 to 6.90V Temperature compensation: -9mV/°C
Cyclic charging voltage(25°C)		7.25 to 7.50V Temperature compensation: -15mV/°C
Maximum charging current		67.5A
Terminal material		Copper
Maximum discharge current		1400A(5 sec.)
Designed floating life(20°C)		10years

NP6-225Ah 6V225Ah

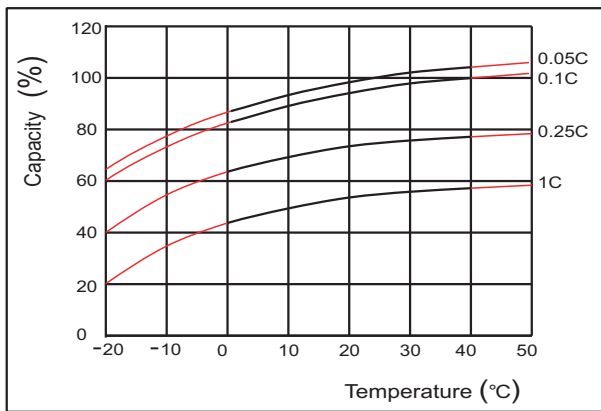
● **Discharge characteristics(25°C)**



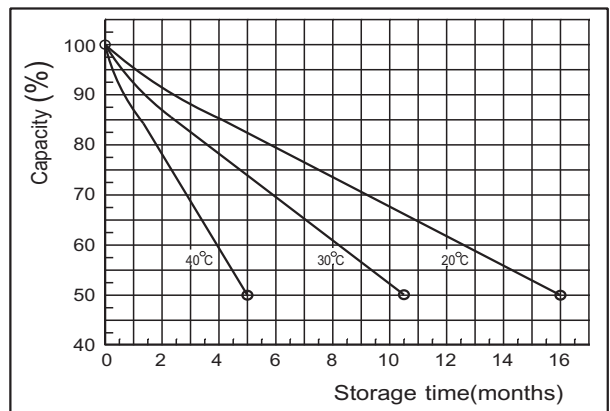
● **Charging characteristics(25°C)**



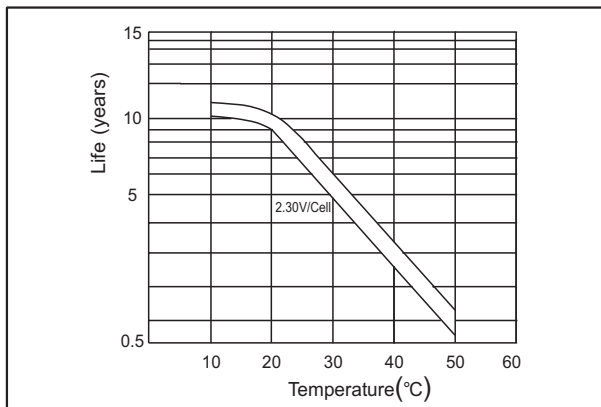
● **Effect of temperature on capacity**



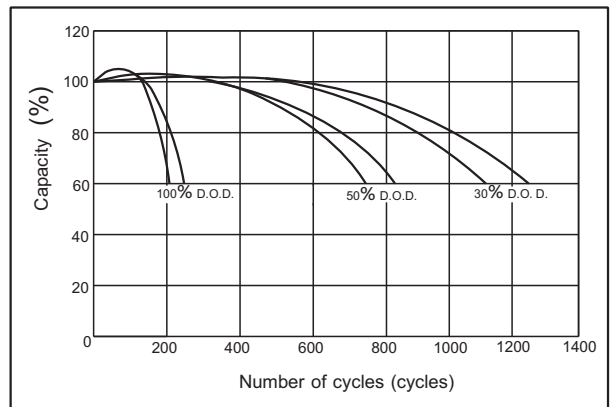
● **Self-discharge characteristics**



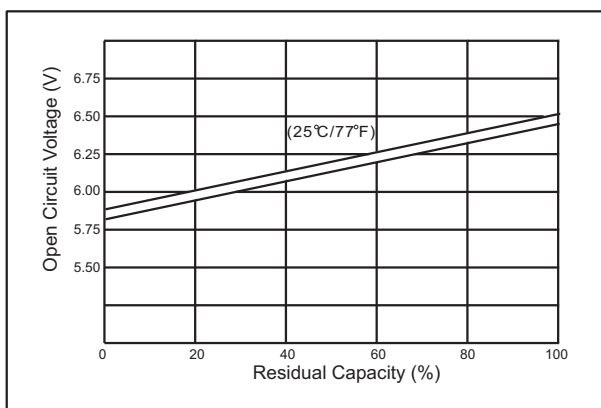
● **Floating life on temperature**



● **Cycle life on D.O.D (25°C)**



● **The relationship for OCV and Capacity (25°C)**



● **The relationship for Charging voltage and Temperature**

