

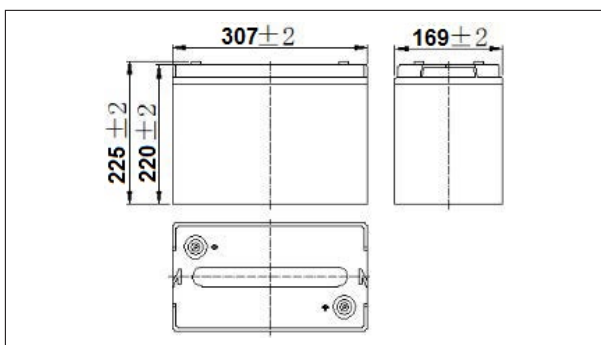
# NP6-180AhA 6V180AhA

● Specifications

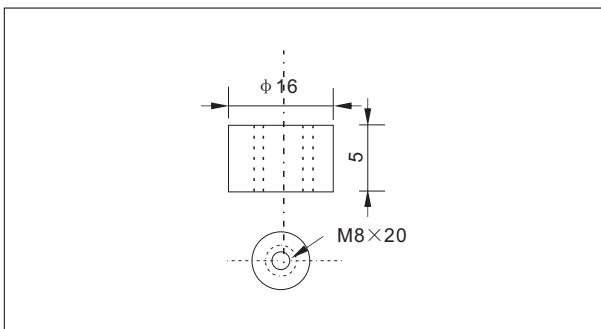
Nominal Voltage		6V
Rated capacity (20 hour rate)		180Ah
Dimensions	Length	307±2mm(12.1inch)
	Width	169±2mm(6.7inch)
	Height	220±2mm(8.66inch)
	Total Height	225±2mm(8.9inch)
Approx. Weight		27.5kg(60.5lbs)±3%



● Outer dimensions (mm)



● Terminal Type (mm)



● Construction

Component	Positive plate	Negative plate	Container	Cover	Separator	Electrolyte	Safety valve	Terminal
Raw material	Lead dioxide	Lead	ABS	ABS	AGM	Sulfuric acid	Rubber	Copper

● Constant Current Discharge Characteristics Unit:A(25°C,77°F)

F.V/Time	10min	15min	30min	60min	2h	3h	4h	5h	8h	10h	20h
4.80V	392	302	181	111	65.8	47.4	37.8	32.3	22.2	18.3	9.71
4.95V	381	295	177	110	65.4	47.1	37.6	32.1	22.1	18.3	9.69
5.10V	365	284	172	107	64.8	46.8	37.3	31.9	21.9	18.2	9.66
5.25V	349	275	168	103	63.8	46.4	37.1	31.7	21.8	18.1	9.61
5.40V	330	260	162	100	62.2	45.0	36.0	30.7	21.1	18.0	9.54

● Constant Power Discharge Characteristics Unit:W(25°C,77°F)

F.V/Time	10min	15min	30min	60min	2h	3h	4h	5h	8h	10h	20h
4.80V	2119	1660	1015	634	381	279	222	191	132	109	58.3
4.95V	2055	1620	995	625	379	277	221	190	131	109	58.2
5.10V	1971	1561	964	609	375	275	220	189	130	109	58.0
5.25V	1886	1507	941	590	370	273	218	187	129	108	57.6
5.40V	1780	1428	906	571	360	265	211	182	125	107	57.2

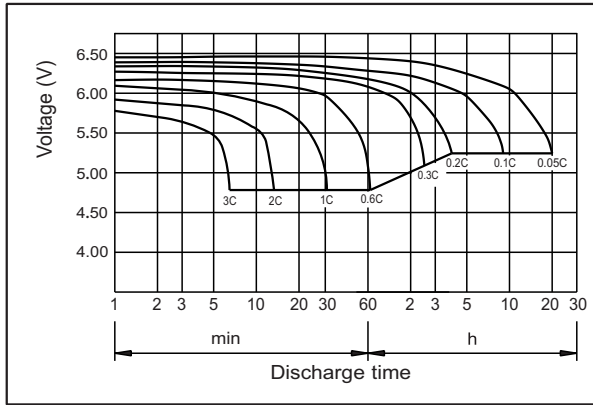
Note: The above characteristics data can be obtained within three charge or discharge cycles.

● Characteristics

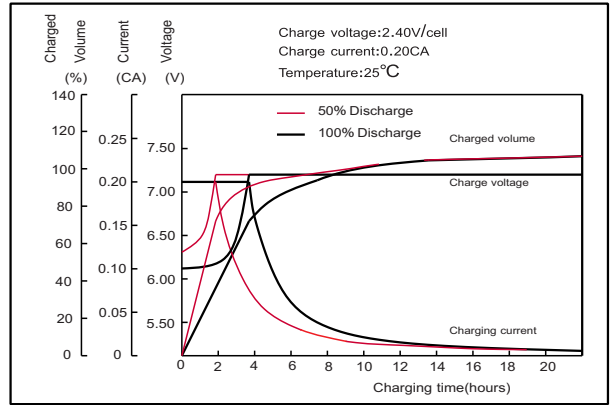
Capacity (25°C)	20HR(5.40V)	180Ah
	3HR(5.40V)	135Ah
	1HR(5.25V)	100Ah
Terminal type		T16
Internal resistance (Fully charged,25°C)		Approx.2.2m Ω
Capacity affected by temperature (10HR)	40°C	102%
	25°C	100%
	0°C	85%
	-15°C	65%
Self-discharge (25°C)	3month	Remaining Capacity:91%
	6month	Remaining Capacity:82%
	12month	Remaining Capacity:65%
Nominal operating temperature		25°C±3°C(77°F±5°F)
Operating temperature range	Discharge	-15°C~50°C(5°F~122°F)
	Charge	-10°C~50°C(14°F~122°F)
	Storage	-20°C~50°C(-4°F~122°F)
Float charging voltage(25°C)		6.75 to 6.90V Temperature compensation: -9mV/°C
Cyclic charging voltage(25°C)		7.25 to 7.50V Temperature compensation: -15mV/°C
Maximum charging current		54A
Terminal material		Copper
Maximum discharge current		1250A(5 sec.)
Designed floating life(20°C)		10years

**NP6-180AhA 6V180AhA**

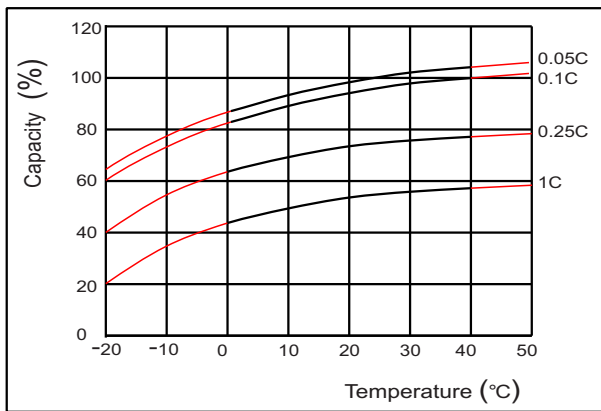
● **Discharge characteristics(25°C)**



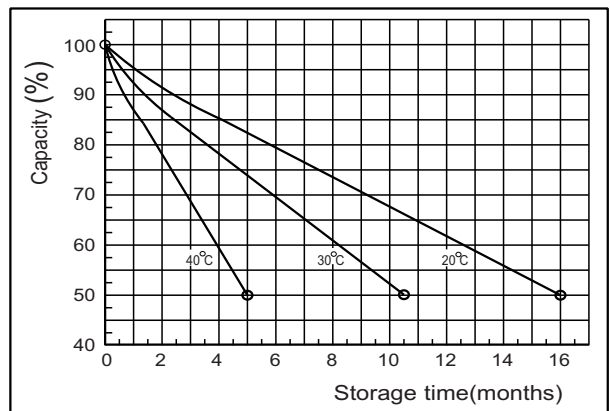
● **Charging characteristics(25°C)**



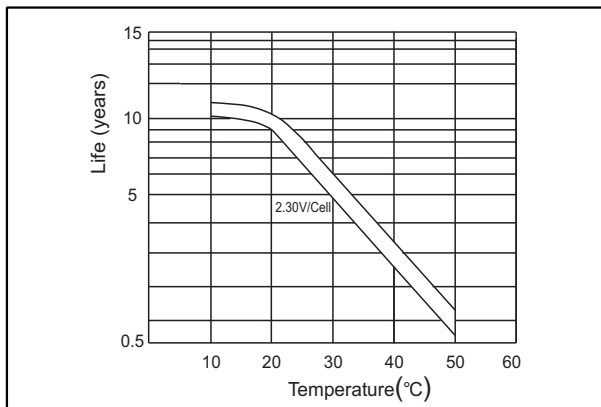
● **Effect of temperature on capacity**



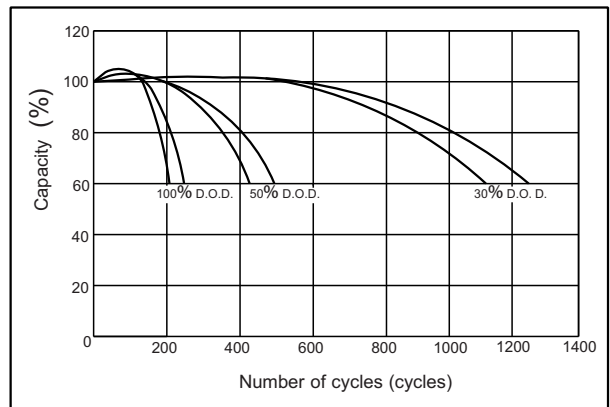
● **Self-discharge characteristics**



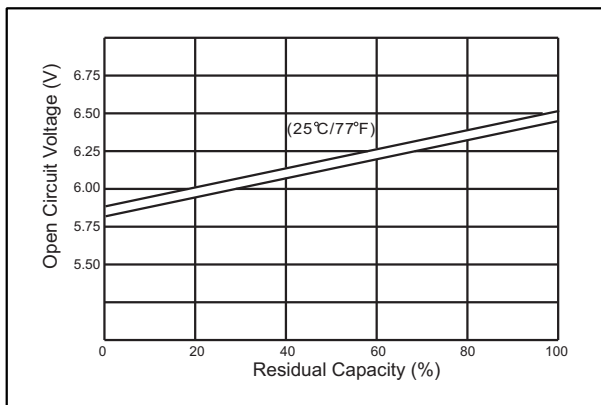
● **Floating life on temperature**



● **Cycle life on D.O.D (25°C)**



● **The relationship for OCV and Capacity (25°C)**



● **The relationship for Charging voltage and Temperature**

