

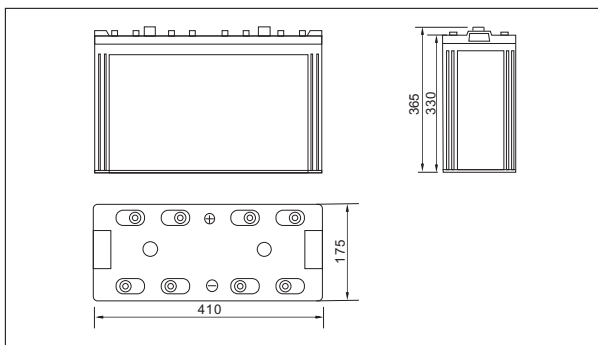
## NP2-800Ah 2V800Ah



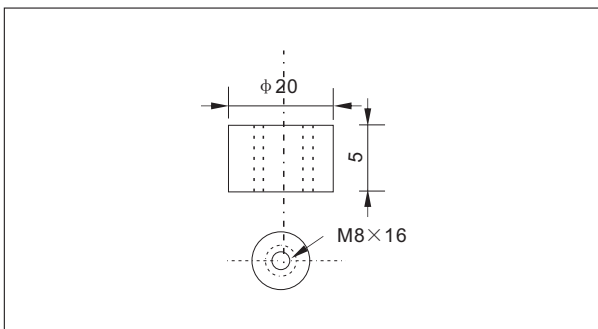
### Specifications

Nominal Voltage	2V	
Rated capacity (20 hour rate)	800Ah	
Dimensions	Length	410±2mm(16.14inch)
	Width	175±2mm(6.89inch)
	Height	330±2mm(12.99inch)
	Total Height	365±2mm(14.37inch)
Approx. Weight	50.5kg(111.1lbs)±3%	

### Outer dimensions (mm)



### Terminal Type (mm)



### Construction

Component	Positive plate	Negative plate	Container	Cover	Separator	Electrolyte	Safety valve	Terminal
Raw material	lead dioxide	Lead	ABS	ABS	AGM	Sulfuric acid	Rubber	Copper

### Constant Current Discharge Characteristics Unit:A(25°C,77°F)

F.V/Time	15min	30min	60min	2h	3h	4h	5h	6h	8h	10h	20h
1.60V	1112	728	504	295	212	170	146	126	99.1	81.8	43.2
1.65V	1085	713	489	293	211	169	145	125	98.6	81.7	43.1
1.70V	1045	692	474	290	209	168	144	124	97.9	81.4	43.0
1.75V	1010	675	459	286	208	166	143	123	97.2	81.0	42.7
1.80V	956	650	444	279	202	161	139	120	94.3	80.4	42.4

### Constant Power Discharge Characteristics Unit:A(25°C,77°F)

F.V/Time	15min	30min	60min	2h	3h	4h	5h	6h	8h	10h	20h
1.60V	2035	1361	958	569	416	333	288	248	197	163	86.3
1.65V	1986	1334	929	566	413	331	286	246	196	163	86.2
1.70V	1913	1293	900	560	411	328	284	244	195	162	85.9
1.75V	1848	1262	871	552	408	326	282	243	193	161	85.4
1.80V	1750	1216	843	538	395	316	274	235	188	160	84.8

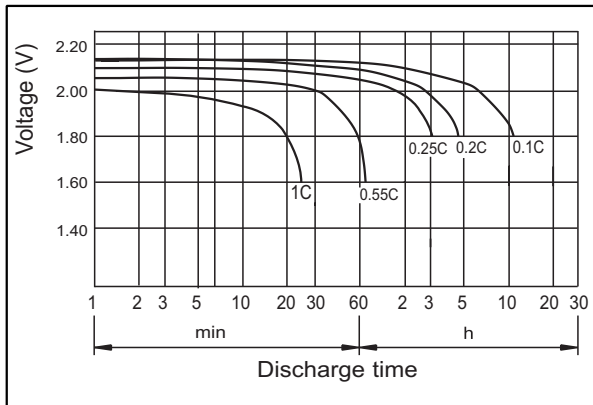
Note: The above characteristics data can be obtained within three charge or discharge cycles.

### Characteristics

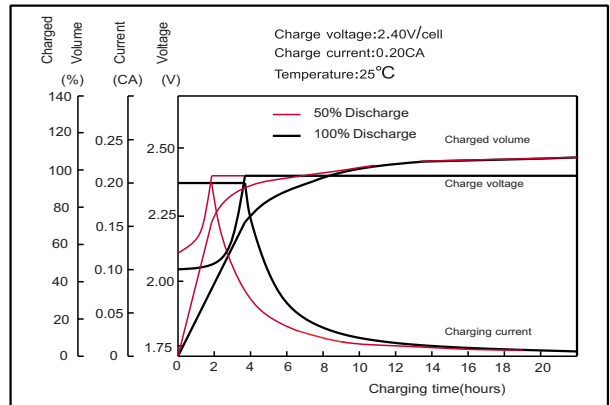
Capacity (25°C)	20HR(1.8V)	800Ah
	3HR(1.80V)	600Ah
	1HR(1.75V)	440Ah
Terminal type		T20
Internal resistance (Fully charged,25°C)		Approx.0.35m Ω
Capacity affected by temperature (20HR)	40°C	102%
	25°C	100%
	0°C	85%
	-15°C	65%
Self-discharge (25°C)	3month	Remaining Capacity:91%
	6month	Remaining Capacity:82%
	12month	Remaining Capacity:65%
Nominal operating temperature		25°C ±3°C(77°F ±5°F)
Operating temperature range	Discharge	-15°C~50°C(5°F~122°F)
	Charge	-10°C~50°C(14°F~122°F)
	Storage	-20°C~50°C(-4°F~122°F)
Float charging voltage(25°C)		2.25 to 2.30V Temperature compensation: -3mV/°C
Cyclic charging voltage(25°C)		2.40 to 2.50V Temperature compensation: -5mV/°C
Maximum charging current		160A
Maximum discharge current		4400A(5 sec.)
Designed floating life(20°C)		15 years

# NP2-800Ah 2V800Ah

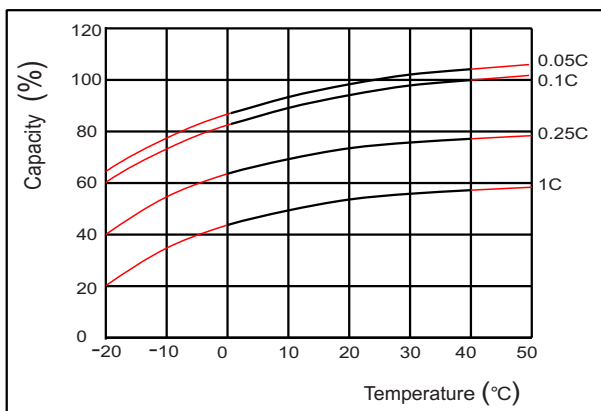
**Discharge characteristics(25°C)**



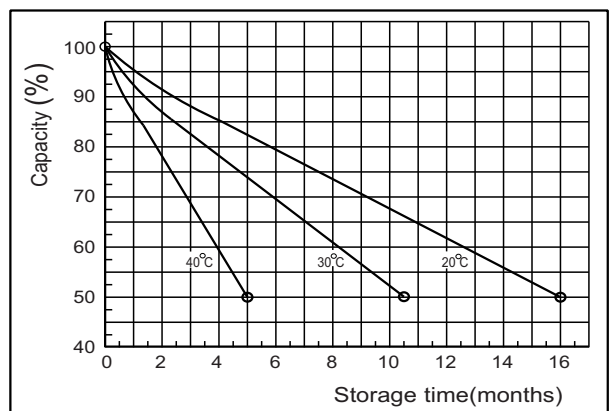
**Charging characteristics**



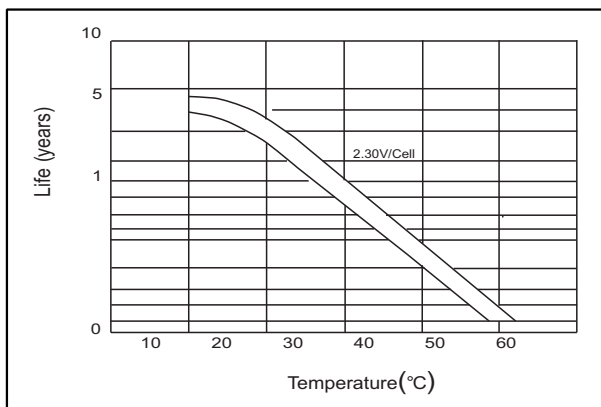
**Effect of Temperature on Capacity**



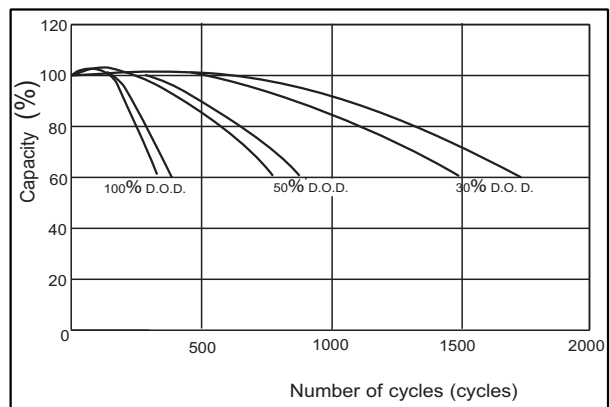
**Self-discharge characteristics**



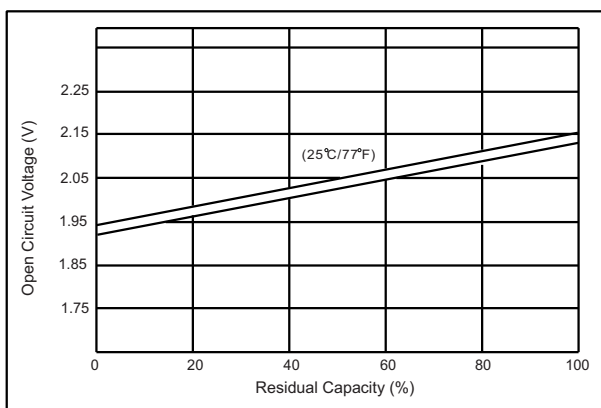
**Temperature effects on float life**



**Cycle service life in relation to depth of discharge**



**The relationship for OCV and Capacity (25°C)**



**The relationship for Charging voltage and Temperature**

