

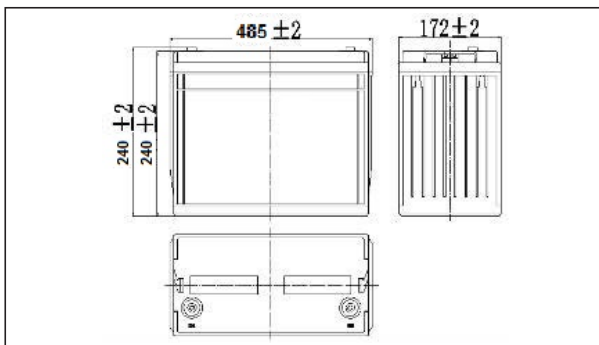
HR12540W-FR (12V540 Watts/cell)

Specifications

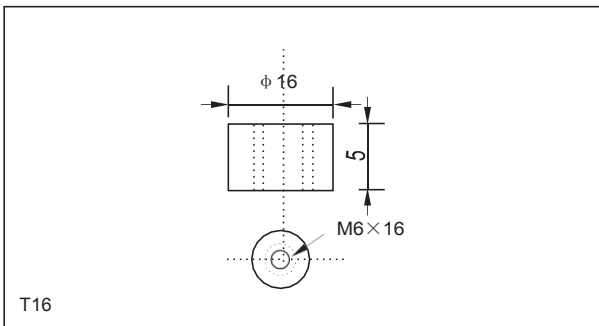
Nominal Voltage		12V
Number of cell		6 cells
Rated capacity(15min.rat)		540 Watts/cell
Dimensions	Length	485±2mm(19.1inch)
	Width	172±2mm(6.77inch)
	Height	240±2mm(9.4inch)
	Total Height	240±2mm(9.4inch)
Approx. Weight		48kg(105.84lbs)±3%



Outer dimensions (mm)



Terminal Type (mm)



Characteristics

Capacity(10HR,25°C)		150Ah
Capacity(15min.rate,25°C)		540 Watts/cell
Terminal type		T16
Internal resistance (Fully charged,25°C)		Approx.3.8m Ω
Capacity affected by temperature (20HR)	40°C	102%
	25°C	100%
	0°C	85%
	-15°C	65%
Self-discharge (25°C)	3 months	Remaining Capacity:91%
	6 months	Remaining Capacity:82%
	12 months	Remaining Capacity:65%
Nominal operating temperature		25°C±3°C(77°F±5°F)
Operating temperature range	Discharge	-15°C~50°C(5°F~122°F)
	Charge	-10°C~50°C(14°F~122°F)
	Storage	-20°C~50°C(-4°F~122°F)
Float charging voltage(25°C)		13.50 to 13.80V Temperature compensation: -18mV/°C
Cyclic charging voltage(25°C)		14.50 to 15.00V Temperature compensation: -30mV/°C
Maximum charging current		40.5A
Maximum discharge current		1050A(5 sec.)
Designed floating life(20°C)		10years

Construction

Component	Positive plate	Negative plate	Container	Cover	Separator	Electrolyte	Safety valve	Terminal
Raw material	Lead dioxide	Lead	ABS	ABS	AGM	Sulfuric acid	Rubber	Copper

Constant Current Discharge Characteristics Unit:A(25°C,77°F)

F.V/Tim	5min	10min	15min	20min	30min	45min	60min	2h	3h	4h	5h	6h
1.60V/cel	530	394	308	256	187	134	106	55.1	39.4	30.9	26.2	22.2
1.67V/cel	480	370	294	245	181	132	105	54.6	39.1	30.7	25.9	22.0
1.70V/cel	457	354	286	240	178	129	103	54.3	39.0	30.6	25.8	21.9
1.75V/cel	416	327	270	228	172	126	101	53.6	38.7	30.4	25.7	21.8
1.80V/cel	375	265	252	209	161	120	90.3	52.3	37.8	29.5	24.9	21.3

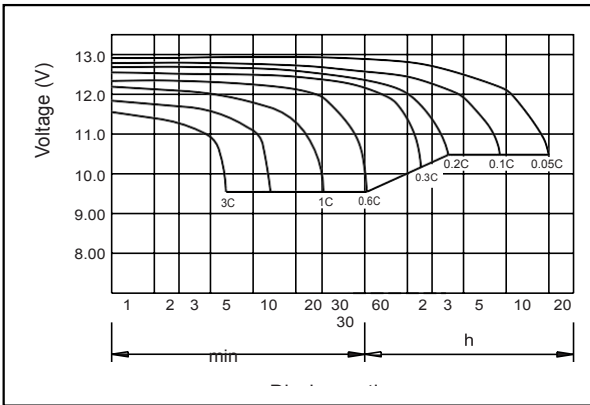
Constant Power Discharge Characteristics Unit:W(25°C,77°F)

F.V/Time	5min	10mi	15min	20min	30min	45min	60min	2h	3h	4h	5h	6h
1.60V/cell	845	584	502	392	278	207	169	97.6	70.7	57.0	49.	42.6
1.67V/cell	769	557	476	376	269	200	165	96.8	70.1	56.5	49.	42.2
1.70V/cell	700	543	461	369	264	197	162	96.2	69.8	56.3	49.	42.1
1.75V/cell	637	519	445	356	258	192	159	94.7	69.4	55.9	48.	41.8
1.80V/cell	580	490	422	337	248	185	154	92.3	67.3	54.2	47.	40.5

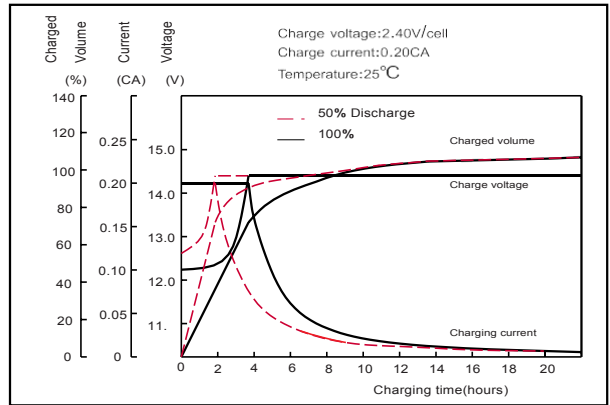
Note: The above characteristics data can be obtained within three charge or discharge cycles.

HR12540W-FR (12V540 Watts/cell)

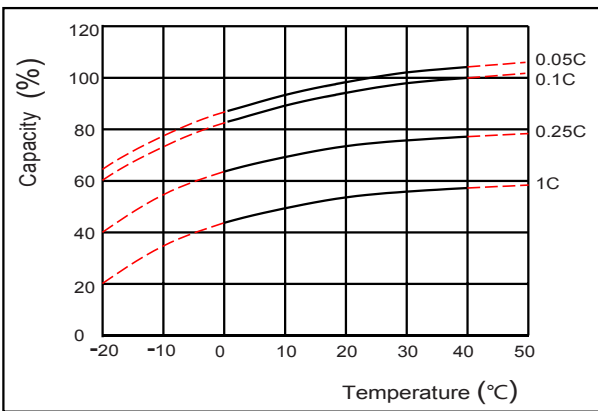
● Discharge characteristics(25°C)



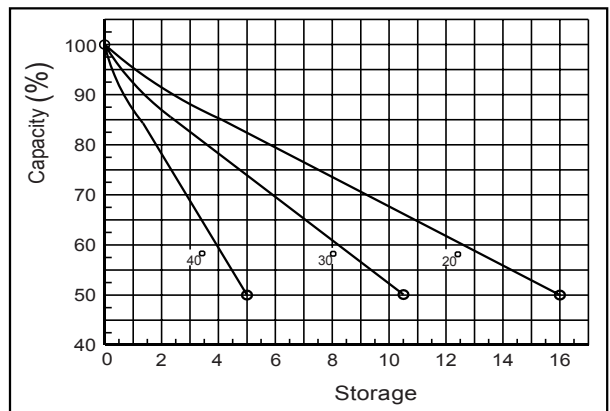
● Charging characteristics (25°C)



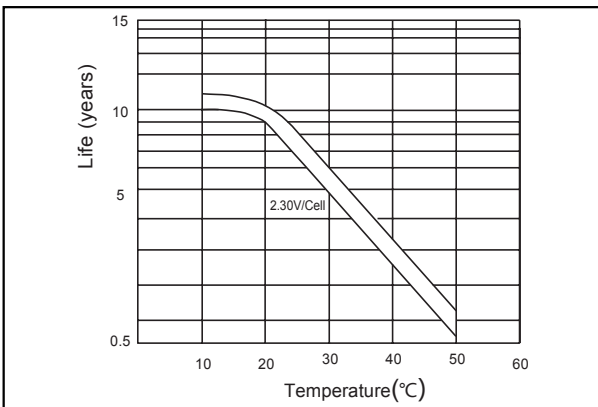
● Effect of Temperature on Capacity



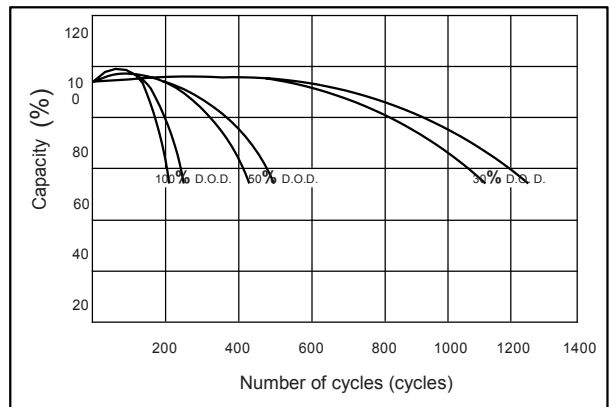
● Self-discharge characteristics



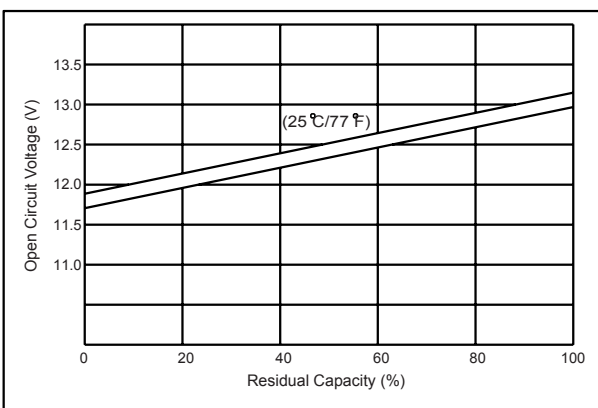
● Floating Life on Temperature



● Cycle service Life on D.O.D (25°C)



● The relationship for OCV and Capacity (25°C)



● The relationship for Charging voltage and Temperature

